

**Instructions for assembly and use
for Models 2345.12 and 2346.12
HACA - construction ladder**



**HACA
LEITERN**



Please read before use!
Caution: incorrect use can lead to a risk of death!
Please contact our head office in Bad Camberg
if you have any queries regarding use.

**1. Assembly of the bracing
on the top ladder (2345 only)**

First mount the bracing connectors 1 to the predrilled rungs. Ensure that of the two different types of screws, the countersunk bolts are fixed near the side rail. Screw the top and bottom end 2 of the bracing to the corresponding bolts.

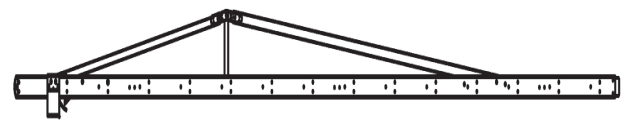


Fig. 1

2. Ladder assembly - with chassis

Place the chassis on the ground, lock the brakes. Erect the ladder 1, open it out and place on the chassis 2. Slide in the locking pins 3 (these are fastened by chain to the base fitting). Slide in the support rails 4 and secure them with clip connectors 5 to prevent them moving.

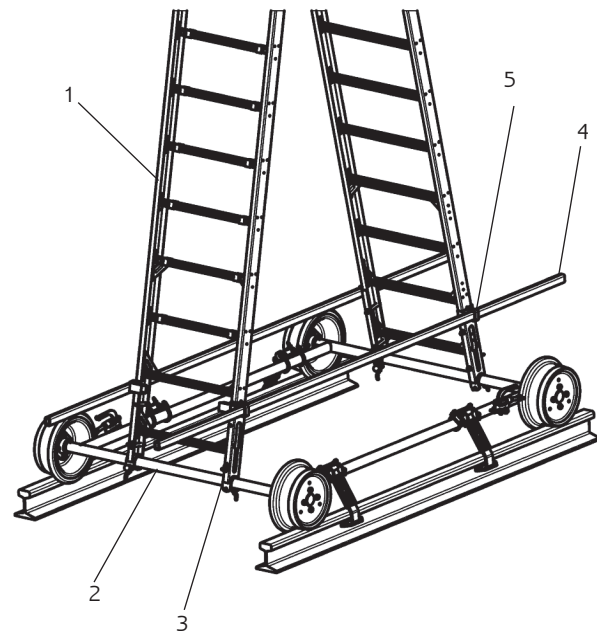


Fig. 2



**Rollers must have no contact with
the ground when the ladder is
being used!**

3. Using the ladder

Take note of the adhesive sign on the rail with user pictograms.

Extend the ladder to the desired height, checking that both safety catches are engaged.

For added safety, wind extension rope around two rungs on the bottom section of the ladder and tie up.

Use of the ladder, as well as raising and lowering the top ladder, is not permitted during this process.

The ladder must not be used as lifting gear (crane).

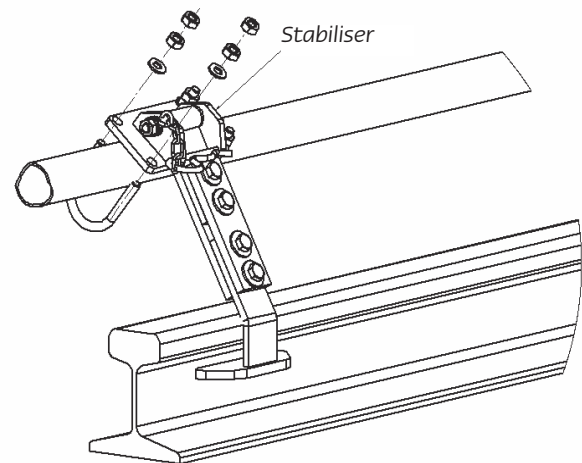


Fig . 3



Both safety catches must be engaged and it must not be possible to roll the ladder further.

4. Use

Before use, always check all parts to make sure they are in good condition and are fully functional.

5. Stabilisers

Before use, the stabilisers must be assembled as shown in Fig. 4 and 5.

Stabilisers must always be used when using the ladder.

The stabilisers are fixed to the side rails of the chassis, and prevent the ladder tilting to one side. At least 2 stabilisers are required.

Counterweights should also be used when working round bends!

The condition of ladders and accessories must be checked regularly. We can provide you with free checklists on request.

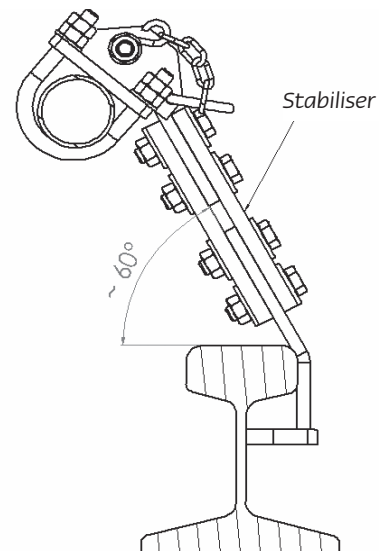


Fig . 4